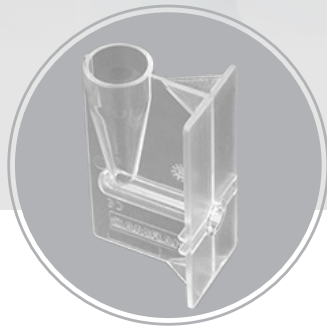


CLEVER SOLUTIONS AT AFFORDABLE PRICES



## **CONSUMABLES** FOR *Cellspin*<sup>®</sup> CYTOCENTRIFUGES

> Compatible with Shandon<sup>™</sup> Cytospin<sup>™</sup>



# CONSUMABLES

## THE CLEVER DETAIL MAKE THE DIFFERENCE

### THARMAC® preparation systems for cytocentrifugation

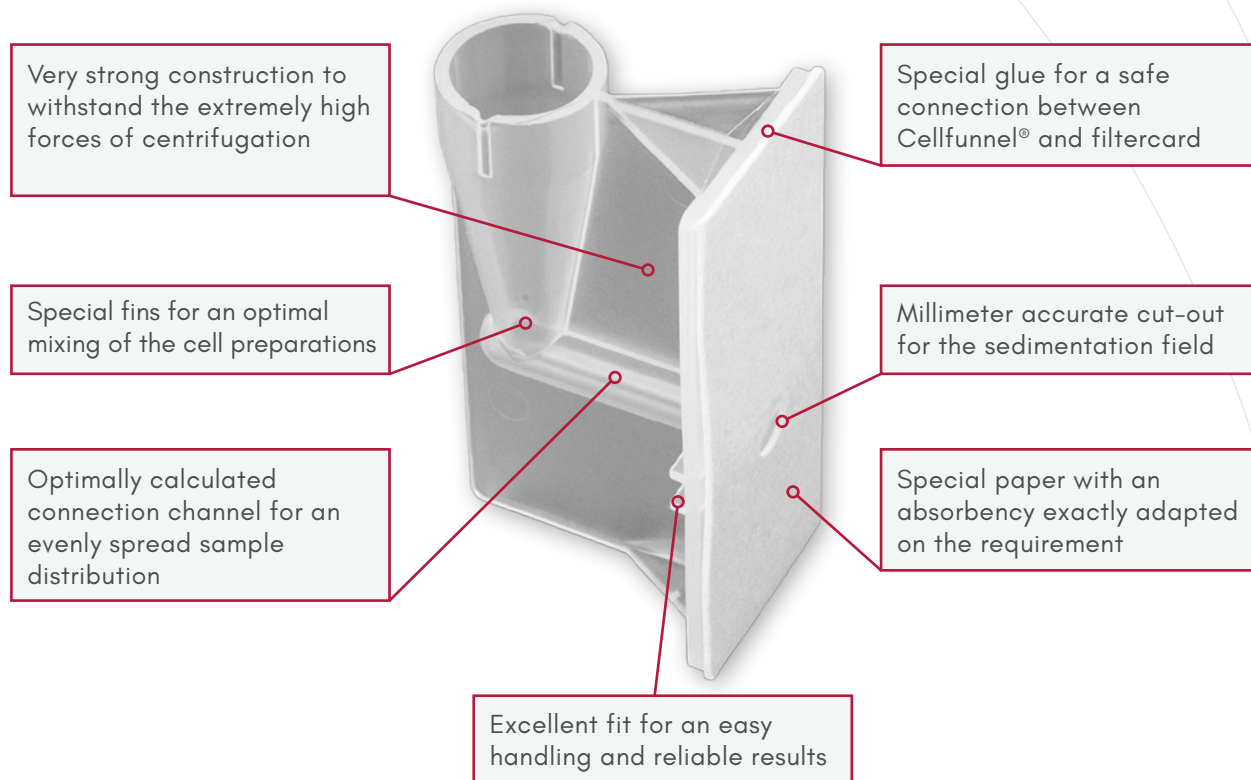
THARMAC® offers a wide range of highly developed preparation systems that allow you to execute any cytological preparation quickly and reliably. The individual components are full of clever details and are matching each other optimal. As a result, our overall systems make your daily laboratory routine easier and safer.

#### THARMAC® CELLCLIP

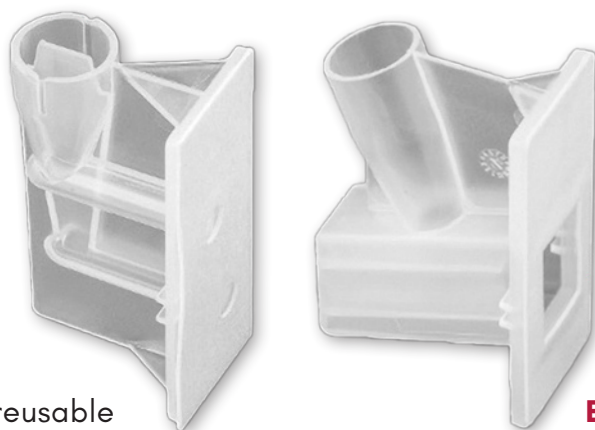


# PREPARATION SYSTEMS

## THARMAC® CELLFUNNEL®



The picture above shows the disposable Single Cellfunnel® (Item no. 320-100 or 320-500). THARMAC® also offers Double Cellfunnel® and ECOfunnel®. All systems are available as disposable and reusable and also suitable for Shandon™ Cytospin™ - sample volumes from 0.1 - 5 ml.



**Double Cellfunnel®**, reusable

**ECOfunnel®**, disposable

# PREPARATION SYSTEMS

## THARMAC® CYTOSLIDES

Suitable for all standard staining machines

White field for easy lettering and clear identification

Special surface structure for better cell adhesion

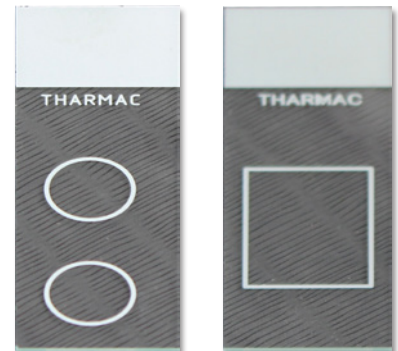
Optionally with special coating for even better cell adhesion

Elevated circle for an easier sample retrieval



Rounded angles and edges for more safety

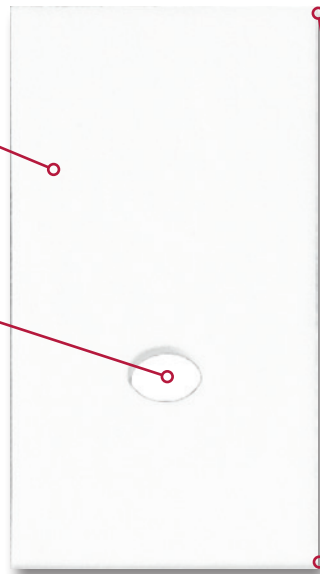
Also available with two circles or a rectangle:



## THARMAC® FILTERCARDS

Special paper with an absorbency exactly adapted on the requirement

Millimeter accurate cut-out for the sedimentation field



Also available with two circles or a rectangle:



Exactly tailored length. So the labeling field of the THARMAC® cytoslide is always visible - also in the assembled system!

# PREPARATION SYSTEMS

## Accessories and consumables for the THARMAC® *Cellspin*®-family and for Shandon™ Cytospin™

For <i>Cellspin</i> ®		
Item no.	Item	Quantity / pcs.
302-1	CellClip stainless steel clip for <i>Cellspin</i> ® CellClip rotor	1
102-1	Seal for closed <i>Cellspin</i> ® CellClip rotor	1

For Shandon™ Cytospin™ & <i>Cellspin</i> ® Easy Rotor		
Item no.	Item	Quantity / pcs.
390-1	Stainless steel clip	1
406-12	TPX-Funnel®	12
407-200	Filtercards for TPX-Funnel® (Item no. 406)	200



For the following consumables from THARMAC® you have the choice between the environmentally friendly reusable solution or a uncomplicated disposable alternative.  
**All systems are compatible with Shandon™ Cytospin™.**

Single Cellfunnel®   REUSABLE		
<ul style="list-style-type: none"> <li>› Sample volumes: up to 0,5 ml</li> <li>› Sedimentation field: 1 field, round, 6 mm diameter</li> </ul>		
Item no.	Item	Quantity / pcs.
304-12	Single Cellfunnel®, reusable, only for item no. 305 and 326	12
305-200	Filtercards only for item no. 304	200
326-200	Thin filtercards ("brown" type), for samples ≤ 0.4 ml	200
310-100	Cytoslides uncoated, one circle	100
311-100	Cytoslides coated, one circle	100

**Single Cellfunnel® | DISPOSABLE**

- › Sample volumes: up to 0,5 ml
- › Sedimentation field: 1 field, round, 6 mm diameter

Item no.	Item	Quantity / pcs.
320-100	Single Cellfunnel® Disposable, with fixed filtercard, only for item no. 310 and 311	100
320-500	Single Cellfunnel® Disposable, with fixed filtercard, only for item no. 310 and 311	500
1393-40	EASY Single Cellfunnel® Disposable*, with white filtercard, only for item no. 310 and 311	40
1393-200	EASY Single Cellfunnel® Disposable*, with white filtercard, only for item no. 310 and 311	200
1394-40	EASY Single Cellfunnel® Disposable*, with brown filtercard for samples ≤ 0.4 ml, only for item no. 310 and 311	40
1394-200	EASY Single Cellfunnel® Disposable*, with brown filtercard for samples ≤ 0.4 ml, only for item no. 310 and 311	200
310-100	Cytoslides uncoated, one circle	100
311-100	Cytoslides coated, one circle	100

**Double Cellfunnel® | REUSABLE**

- › Sample volumes: up to 2x 0,5 ml
- › Sedimentation field: 2 fields, round, 6 mm diameter each
- › Ideal for immunochemical examination

Item no.	Item	Quantity / pcs.
306-12	Double Cellfunnel®, reusable, for two samples, only for item no. 307 and 309	12
307-500	Filtercards, only for item no. 306	500
309-100	Cytoslides, uncoated, two circles, only for item no. 306	100

\*Fits ONLY for *Cellspin*® EASY rotors and Shandon™ Cytospin™

**Double Cellfunnel® | DISPOSABLE**

- Sample volumes: up to 2x 0,5 ml
- Sedimentation field: 2 fields, round, 6 mm diameter each
- Ideal for immunochemical examination

Item no.	Item	Quantity / pcs.
323-100	Double Cellfunnel® Disposable, with two offset holes and fixed filtercard, only for item no. 316 or 317	100
323-500	Double Cellfunnel® Disposable, with two offset holes, and fixed filtercard, only for item no. 316 or 317	500
1395-40	EASY Double Cellfunnel® Disposable*, with two offset holes, with white filtercard, only for item no. 316 or 317	40
1395-200	EASY Double Cellfunnel® Disposable*, with two offset holes, with white filtercard, only for item no. 316 or 317	200
316-100	Cytoslides, coated, two offset circles, only for item no. 323 and 1395	100
317-100	Cytoslides, uncoated, two offset circles, only for item no. 323 and 1395	100

**ECOfunnel® | REUSABLE**

- Sample volumes: up to 5 ml
- Sedimentation field: 1 field, rectangular, 22 x 15 mm

Item no.	Item	Quantity / pcs.
313-12	ECOfunnel®, reusable, only for item no. 314, 315, 345	12
314-100	ECOslide, coated	100
315-100	ECOseal, for ECOfunnel® item no. 313	100
345-100	Filtercards, for ECOfunnel® item no. 313 for samples ≤ 0.5 ml	100
345-500	Filtercards, for ECOfunnel® item no. 313 for samples ≤ 0.5 ml	500

**ECOfunnel® | DISPOSABLE**

- Sample volumes: up to 5 ml
- Sedimentation field: 1 field, rectangular, 22 x 15 mm
- With fixed ECOseal

Item no.	Item	Quantity / pcs.
322-100	ECOfunnel® Disposable, only for item no. 314	100
322-500	ECOfunnel® Disposable, only for item no. 314	500
314-100	ECOslide, coated	100
1391-40	EASY ECOfunnel® Disposable*, inclusive ECOslides 314	40
1391-200	EASY ECOfunnel® Disposable*, inclusive ECOslides 314	200

\*Fits ONLY for *Cellspin*® EASY rotors and Shandon™ Cytospin™





**THARMAC® GmbH Laboratory Solutions**

**Commercial unit**

Hasselborner Straße 19-21 » DE-35647 Waldsolms » PHONE: +49 (0) 6085 98 99 1-0  
FAX: +49 (0) 6085 98 99 1-19 » MAIL: info@tharmac.de

**Place of business**

Borsigstraße 7A » DE-65205 Wiesbaden » PHONE: +49 (0) 6122 5 88 97-33  
FAX: +49 (0) 6122 5 88 97-36 » MAIL: info@tharmac.de